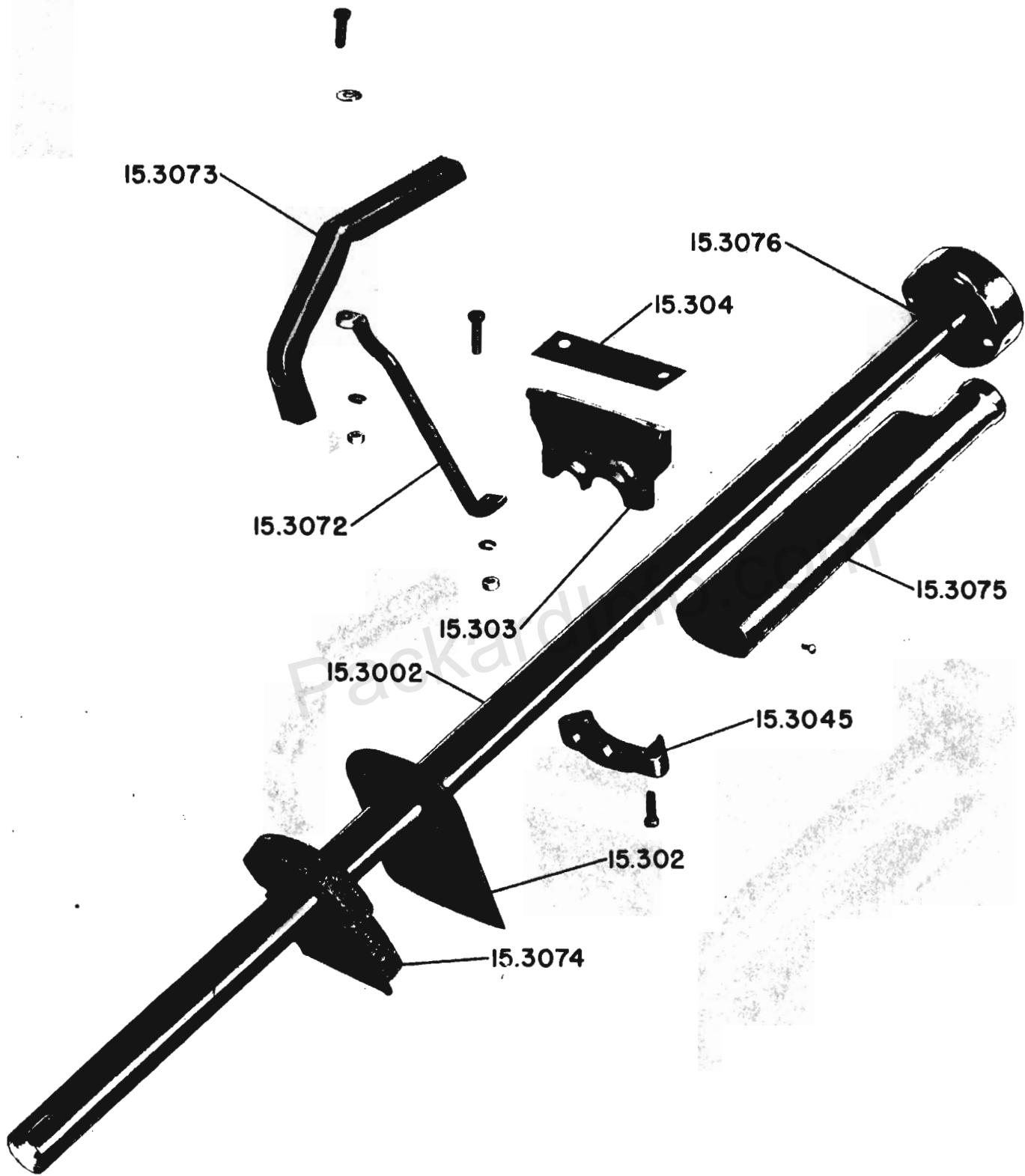


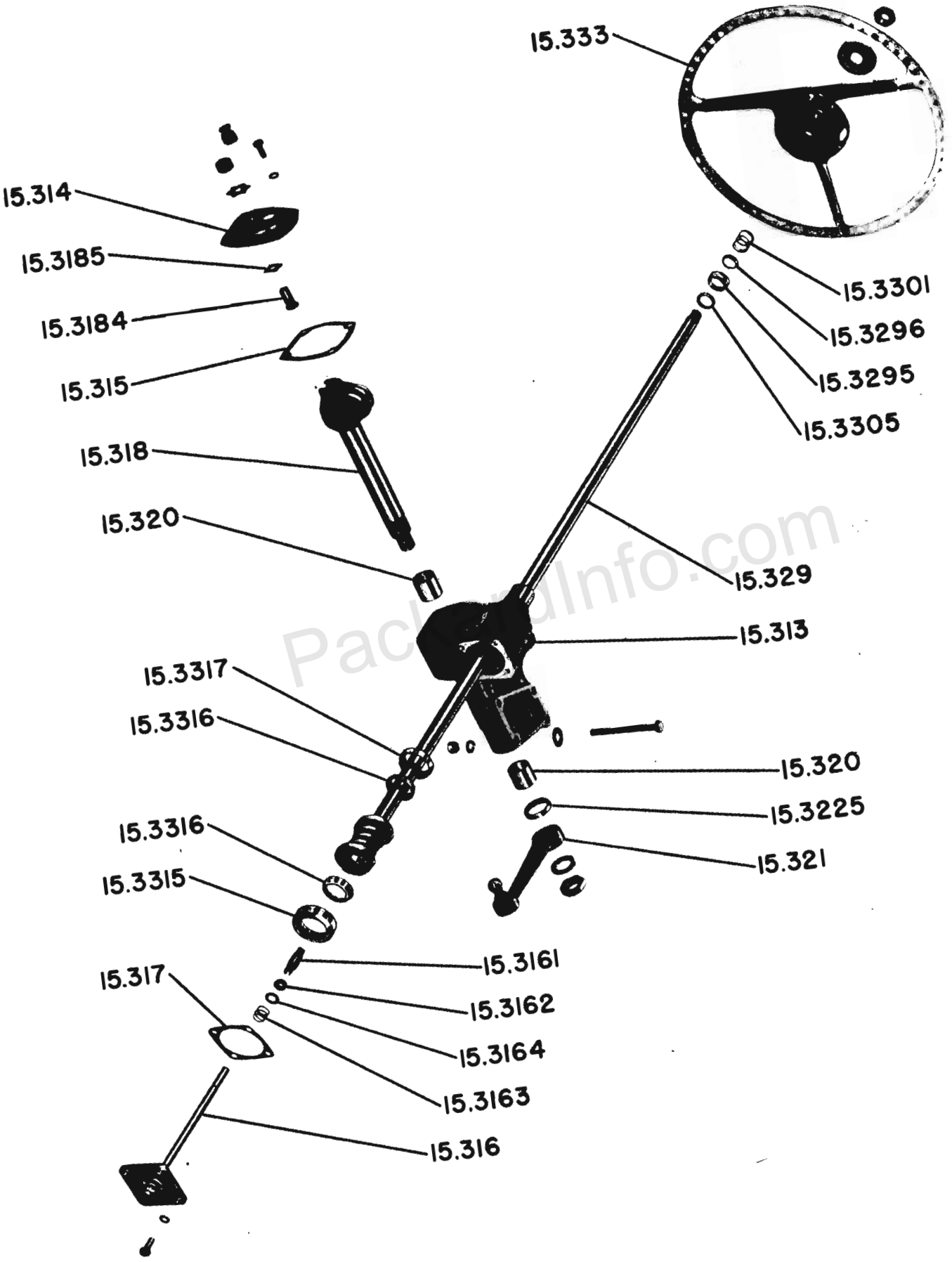
STEERING RODS

CODE NO.	PART NO.	DESCRIPTION AND MODELS	PER CAR	CODE NO.	PART NO.	DESCRIPTION AND MODELS	PER CAR
CONNECTING ROD				CONNECTING ROD—Continued			
15.000		ROD ASSEMBLY - STEERING CONNECTING		15.009		SPACER	
	373749	1951-2000-01-03-06-10-11-2100-01-03-06-11-26-30	1		373705	right, 1951-2000-01-03-06-10-11-2100-01-03-06-11-26-30	1
15.001		PLUG - ADJUSTING			373706	left, 1951-2000-01-03-06-10-11-2100-01-03-06-11-26-30	1
	371323	1951-2000-01-03-06-10-11-2100-01-03-06-11-26-30	2	CROSS TUBE			
	4312	Cotter pin 1/8 x 1-3/4 (50.240) 1951-2000-01-03-06-10-11-2100-01-03-06-11-26-30	2	15.200		TUBE ASSEMBLY - STEERING CROSS	
15.003		SEAT - BALL			373747	right, 1951-2000-01-03-06-10-11-2100-01-03-06-11-26-30	1
	371330	1951-2000-01-03-06-10-11-2100-01-03-06-11-26-30	8		373748	left, 1951-2000-01-03-06-10-11-2100-01-03-06-11-26-30	1
15.0035		PLUG - CROSS TUBE BALL SEAT			4292	Cotter pin 3/32 x 7/8, (50.240) 1951-2000-01-03-06-10-11-2100-01-03-06-11-26-30	2
	371329	1951-2000-01-03-06-10-11-2100-01-03-06-11-26-30	2	15.2005		TUBE - CROSS	
15.004		SPRING - BALL SEAT			371339	1951-2000-01-03-06-10-11-2100-01-03-06-11-26-30	2
	373704	1951-2000-01-03-06-10-11-2100-01-03-06-11-26-30	2	15.2006		NUT - BALL STUD	
15.0045		BUMPER - BALL SEAT SPRING			371533	1951-2000-01-03-06-10-11-2100-01-03-06-11-26-30	2
	371332	1951-2000-01-03-06-10-11-2100-01-03-06-11-26-30	2	15.2007		LUBRICATOR FITTING - CROSS	
15.0071		LEVER AND BALL STUD ASSEMBLY - IDLER			216548	1951-2000-01-03-06-10-11-2100-01-03-06-11-26-30	2
	373313	1951-2000-01-03-06-10-11-2100-01-03-06-11-26-30	1	15.201		CLAMP	
15.0072		DUST COVER - BALL STUD			303475	1951-2000-01-03-06-10-11-2100-01-03-06-11-26-30	4
	371325	1951-2000-01-03-06-10-11-2100-01-03-06-11-26-30	4		5890	Screw 5/16-24 x 1-1/4 (50.003) 1951-2000-01-03-06-10-11-2100-01-03-06-11-26-30	4
15.0073		SPRING - BALL STUD DUST COVER			5504	Lockwasher 5/16 (50.220) 1951-2000-01-03-06-10-11-2100-01-03-06-11-26-30	4
	373702	1951-2000-01-03-06-10-11-2100-01-03-06-11-26-30	4		7005	Nut 5/16-24 (50.100) 1951-2000-01-03-06-10-11-2100-01-03-06-11-26-30	4
15.0074		BUSHING ASSEMBLY - IDLER LEVER		15.202		BALL AND SOCKET ASSEMBLY	
	371384	1951-2000-01-03-06-10-11-2100-01-03-06-11-26-30	1		377374	right, 1951-2000-01-03-06-10-11-2100-01-03-06-11-26-30	1
15.00742		SEAL - IDLER LEVER BUSHING			377375	left, 1951-2000-01-03-06-10-11-2100-01-03-06-11-26-30	1
	378855	1951-2000-01-03-06-10-11-2100-01-03-06-11-26-30	1	15.2025		SLEEVE - ADJUSTING	
15.00746		SUPPORT - IDLER LEVER			371336	1951-2000-01-03-06-10-11-2100-01-03-06-11-26-30	2
	371368	1951-2000-01-03-06-10-11-2100-01-03-06-11-26-30	1	15.206		DUST COVER - BALL STUD	
	7080	Screw 3/8-24 x 1-1/8 (50.003) 1951-2000-01-03-06-10-11-2100-01-03-06-11-26-30	2		354977	1951-2000-01-03-06-10-11-2100-01-03-06-11-26-30	2
	5506	Lockwasher 3/8 (50.220) 1951-2000-01-03-06-10-11-2100-01-03-06-11-26-30	2	15.207		SEAT - BALL STUD DUST COVER	
15.0075		LUBRICATION FITTING			348745	1951-2000-01-03-06-10-11-2100-01-03-06-11-26-30	2
	216548	(50.700) 1951-2000-01-03-06-10-11-2100-01-03-06-11-26-30	2	15.208		WASHER - BALL STUD DUST	
					317812	1951-2000-01-03-06-10-11-2100-01-03-06-11-26-30	2



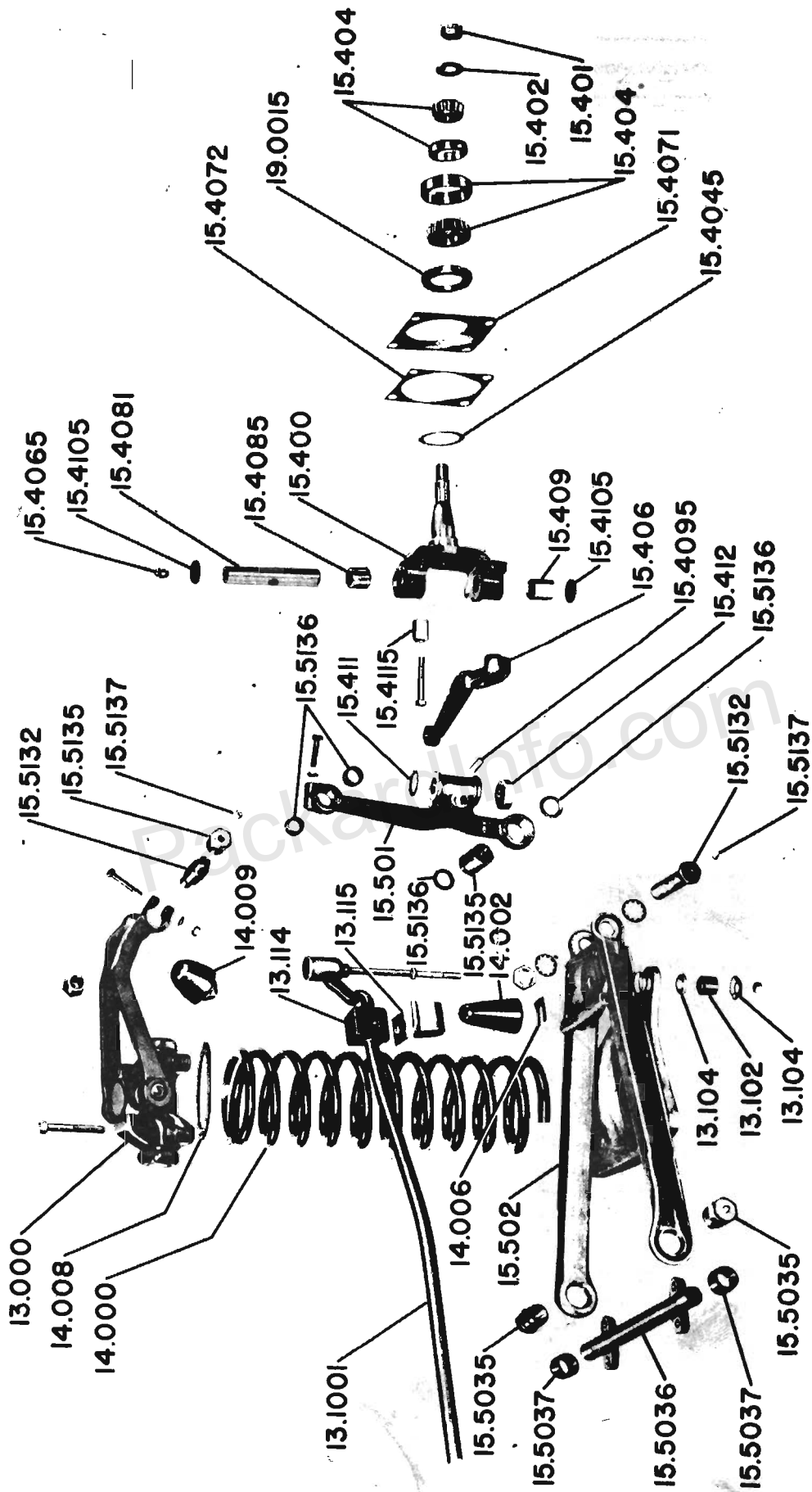
STEERING COLUMN

CODE NO.	PART NO.	DESCRIPTION AND MODELS	PER CAR	CODE NO.	PART NO.	DESCRIPTION AND MODELS	PER CAR
COLUMN				COLUMN-Continued			
▲15.3002		STEERING COLUMN ASSEMBLY		▲15.3075		SHROUD	
	373437	1951	1		384794	1951-2000-01-03-10-11-2100-01-03-11-30 . . .	1
	384776	2000-01-10-11-2100-01-11-30	1		378377	2006-2106-26	1
	384781	2003-2103	1		7650	Screw #6 x 1/4, 1951-2000-01-03-06-10-11-2100-01-03-06-11-26-30	1
	384784	2003-2106-26	1				
▲15.302		GROMMET - STEERING COLUMN		15.3076		GROMMET - SHROUD	
	373156	1951-2003-06-2103	1		356442	1951-2000-01-03-06-10-11-2100-01-03-06-11-26-30	1
	373157	2000-01-10-11-2100-01-11-30	1				
	7945	Screw #10 x 1-1/2 (50.003) 1951-2000-01-03-06-10-11-2100-01-03-11-30	2				
▲15.303		BRACKET - COLUMN TO INSTRUMENT BOARD				GEAR	
	383468	1951-2003-06-2103-06-26	1	▲15.310		STEERING GEAR ASSEMBLY	
	383467	2000-01-10-11-2100-01-11-30	1		900921	1951	1
	7385	Screw 5/16-24 x 1-1/4 (50.003) 1951-2000-01-03-06-10-11-2100-01-03-06-11-26-30	2		901139	2000-01-10-11	1
	6359	Washer 5/16 (50.200) 1951-2000-01-03-06-10-11-2100-01-03-06-11-26-30	1		901141	2003-06	1
	5504	Lockwasher 5/16 (50.220) 1951-2000-01-03-06-10-11-2100-01-03-06-11-26-30	2		384700	2100-01-11-30	1
	7005	Nut 5/16-24 (50.100) 1951-2000-01-03-06-10-11-2100-01-03-06-11-26-30	2		384701	2103-06-26	1
15.304		ANTI-SQUEAK - INSTRUMENT BOARD BRACKET			324335	Bolt, 1951	4
	373456	1951-2003-06-2103-06-26	1		324329	Bolt, 2000-01-03-06-10-11-2100-01-03-06-11-30	4
	373297	2000-01-10-11-2100-01-11-30	1		389301	Bolt, 2126	4
▲15.3045		CAP - COLUMN TO INSTRUMENT BOARD BRACKET			7321	Washer 7/16 (50.200) 2000-01-03-06-10-11-2100-01-03-06-11-30	4
	384787	1951-2000-01-03-06-10-11-2100-01-03-06-11-26-30	1		348932	Washer 7/16 (50.200) 2126	4
	7719	Screw 5/16-18 x 1 (50.004) 1951-2000-01-03-06-10-11-2100-01-03-06-11-26-30	2		5508	Lockwasher 7/16 (50.220) 1951-2000-01-03-06-10-11-2100-01-11-30	4
	6044	Lockwasher 5/16 (50.230) 1951-2000-01-03-06-10-11-2100-01-03-06-11-26-30	2		5806	Lockwasher 7/16 (50.230) 2103-06-26	1
▲15.3072		BRACE - INSTRUMENT BOARD TO COWL			7007	Nut 7/16-20 (50.100) 1951-2000-01-03-06-10-11-2100-01-03-06-11-26-30	4
	376130	1951-2000-01-03-06-10-11-2100-01-03-06-11-26-30	1	15.3101		INSULATOR - STEERING GEAR TO FRAME	
	7384	Screw 5/16-24 x 1 (50.003) 1951-2000-01-03-06-10-11-2100-01-03-06-11-26-30	1		371986	1951	2
	6359	Washer 5/16 plain (50.200) 1951-2000-01-03-06-10-11-2100-01-03-06-11-26-30	2	15.3102		PLATE - STEERING GEAR TO FRAME INSULATOR	
	5504	Lockwasher 5/16 (50.220) 1951-2000-01-03-06-10-11-2100-01-03-06-11-26-30	1		371987	1951	2
	7005	Nut 5/16-24 (50.100) 1951-2000-01-03-06-10-11-2100-01-03-06-11-26-30	1	▲15.313		CASE ASSEMBLY	
15.3073		REINFORCEMENT - STEERING COLUMN DASH BRACE ROOF COWL			373334	1951	1
	376110	1951-2000-01-03-06-10-11	1		377379	2000-01-03-06-10-11	1
▲15.3074		INSULATION - COLUMN TO DASH			384708	2100-01-03-06-11-26-30	1
	373389	1951-2003-06-2103-06	1		338639	Dowel (50.556) 2000-01-03-06-10-11	1
	373388	2000-01-10-11-2100-01-11-30	1		302234	Oil plug (50.720) 1951-2000-01-03-06-10-11	1
	387585	2126	1		384733	Oil plug, 2100-01-03-06-11-26-30	1
				15.314		COVER ASSEMBLY - CROSS SHAFT	
					302243	1951-2000-01-03-06-10-11	1
					384728	2100-01-03-06-11-26-30	1
					6465	Screw 5/16-18 x 5/8 (50.003) 1951-2000-01-03-06-10-11-2100-01-03-06-11-26-30	4
					5504	Lockwasher 5/16 (50.200) 1951-2000-01-03-06-10-11-2100-01-03-06-11-26-30	4
				15.315		GASKET - CROSS SHAFT COVER	
					302241	1951-2000-01-03-06-10-11	1
					384729	2100-01-03-06-11-26-30	1



STEERING GEAR

CODE NO.	PART NO.	DESCRIPTION AND MODELS	PER CAR	CODE NO.	PART NO.	DESCRIPTION AND MODELS	PER CAR
GEAR-Continued				GEAR-Continued			
15.316		COVER AND TUBE ASSEMBLY - WORM		^A 15.321		PITMAN ARM - STEERING (Cont'd)	
324088		1951-2000-01-03-06-10-11	1	5520		Lockwasher 7/8 (50.220) 1951-2000-01-03-06-10-11-2100-01-03-06-11-26-30	1
384736		2100-01-03-06-11-26-30	1	302247		Nut (50.100) 1951-2000-01-03-06-10-11-2100-01-03-06-11-26-30	1
6240		Screw 5/16-18 x 3/4 (50.003) 1951-2000-01-03-06-10-11-2100-01-03-06-11-26-30	4	15.3225		OIL SEAL ASSEMBLY - CROSS SHAFT	
5504		Lockwasher 5/16 (50.220) 1951-2000-01-03-06-10-11-2100-01-03-06-11-26-30	4	302274		1951-2000-01-03-06-10-11	1
15.3161		ANTI-RATTLER - COVER AND TUBE		384727		2100-01-03-06-11-26-30	1
384741		2100-01-03-06-11-26-30	1	15.328		THRUST WASHER - CROSS SHAFT	
15.3162		SEAL - COVER AND TUBE GREASE RETAINER		302884		1951-2000-01-03-06-10-11	1
384738		2100-01-03-06-11-26-30	1	303316		Dowel, 1951-2000-01-03-06-10-11	2
15.3163		SPRING - COVER AND TUBE GREASE RETAINER SEAL		^A 15.329		SHAFT AND WORM ASSEMBLY	
384740		2100-01-03-06-11-26-30	1	373446		1951-2003-06	1
15.3164		RETAINER - COVER AND TUBE GREASE RETAINER SEAL SPRING		373305		2000-01-10-11	1
384739		2100-01-03-06-11-26-30	1	384704		2100-01-11-30	1
15.317		SHIM - WORM COVER		384705		2103-06-26	1
317688		medium, 1951-2000-01-03-06-10-11-2100-01-03-06-11-26-30	x	15.3295		BEARING ASSEMBLY - SHAFT UPPER	
317689		thick, 1951-2000-01-03-06-10-11-2100-01-03-06-11-26-30	x	362068		1951-2000-01-03-06-10-11-2100-01-03-06-11-26-30	1
384730		thin, 1951-2000-01-03-06-10-11-2100-01-03-06-11-26-30	x	15.3296		SPACER - SHAFT UPPER BEARING	
^A 15.318		SHAFT ASSEMBLY - CROSS		362075		1951-2000-01-03-06-10-11-2100-01-03-06-11-26-30	1
373486		1951-2000-01-03-06-10-11	1	15.3301		SPRING - SHAFT UPPER BEARING RETAINING	
384712		2100-01-03-06-11-26-30	1	335986		1951-2000-01-03-06-10-11-2100-01-03-06-11-26-30	1
15.3184		SCREW - CROSS SHAFT ADJUSTING		15.3305		OIL SEAL ASSEMBLY - SHAFT	
213315		1951-2000-01-03-06-10-11	1	323777		1951-2000-01-03-06-10-11-2100-01-03-06-11-26-30	1
384721		2100-01-03-06-11-26-30	1	15.3315		CUP - WORM BEARING ADJUSTING	
6574		Lockwasher 9/16 (50.230) 1951-2000-01-03-06-10-11	1	316203		1951-2000-01-03-06-10-11	1
302255		Lock nut (50.100) 1951-2000-01-03-06-10-11	1	384724		2100-01-03-06-11-26-30	1
384722		Nut, 2100-01-03-06-11-26-30	1	15.3316		CAGE AND ROLLER - WORM BEARING	
384723		Lock plate, 2100-01-03-06-11-26-30	1	316207		1951-2000-01-03-06-10-11-2100-01-03-06-11-26-30	2
15.3185		THRUST WASHER - CROSS SHAFT ADJUSTING SCREW		15.3317		CUP - WORM BEARING	
384884		2100-01-03-06-11-26-30	1	316206		1951-2000-01-03-06-10-11	1
15.319		SHIM - CROSS SHAFT ADJUSTING		384726		2100-01-03-06-11-26-30	1
302882		.030, 1951-2000-01-03-06-10-11	x	15.333		STEERING WHEEL ASSEMBLY	
302883		.010, 1951-2000-01-03-06-10-11	x	384102		1951-2000-01-2100-01-03-11-30	1
304611		.005, 1951-2000-01-03-06-10-11	x	384745		2003-06-2106-26	1
15.320		BUSHING - CROSS SHAFT		378290		2010-11	1
333078		1951-2000-01-03-06-10-11	2	335380		Nut 3/4 (50.100) 1951-2000-01-03-06-10-11-2100-01-03-06-11-26-30	1
^A 15.321		PITMAN ARM - STEERING					
373311		1951-2000-01-03-06-10-11	1				



FRONT SUSPENSION

CODE NO.	PART NO.	DESCRIPTION AND MODELS	PER CAR
KNUCKLES			
15.400	KNUCKLE ASSEMBLY - STEERING		
367744	1951	2
377513	2000-01-10-11-2100-01-11-30	2
378795	2003-06-2103-06	2
384000	2126	2
15.401	ADJUSTING NUT - WHEEL BEARING		
302721	inner, 1951-2003-06-2103-06-26	2
302684	outer, 1951-2003-06-2103-06-26	2
7189	2000-01-10-11-2100-01-11-30	2
4308	Cotter pin 1/8 x 1-1/4 (50.240) 1951-2000-01-03-06-10-11-2100-01-03-06-11-26-30	2
15.4015	PIN - WHEEL BEARING NUT		
43293	1951-2003-06-2103-06-26	2
15.402	LOCKING WASHER - FRONT WHEEL BEARING ADJUSTING NUT		
302720	1951-2003-06-2103-06-26	2
334995	2000-01-10-11-2100-01-11-30	2
15.404	BEARING ASSEMBLY - FRONT WHEEL		
303401	inboard, 1951-2003-06-2103-06	2
348640	inboard, 2000-01-10-11-2100-01-11-30	2
176593	inboard, 2126	2
303400	outboard, 1951-2003-06-2103-06	2
379474	outboard, 2000-01-10-11-2100-01-11-30	2
97056	outboard, 2126	2
15.4045	GASKET - STEERING KNUCKLE TO SUPPORT PLATE		
367681	1951-2000-01-03-06-10-11-2100-01-03-06-11-30	2
15.406	LEVER - KNUCKLE		
373898	right, 1951-2000-01-03-06-10-11-2100-01-03-06-11-30	2
382946	right, 2126	1
373897	left, 1951-2000-01-03-06-10-11-2100-01-03-06-11-30	1
382945	left, 2126	1
15.4065	LUBRICATION FITTING - KNUCKLE PIN		
373925	1951-2000-01-03-06-10-11-2100-01-03-06-11-30	2
216549	2126	2
15.4071	OIL GUARD		
367674	1951-2000-01-03-06-10-11-2100-01-03-06-11-30	2
232776	2126	2
15.4072	GASKET - OIL GUARD		
367675	1951-2000-01-03-06-10-11-2100-01-03-06-11-30	2
15.408	PIN KIT		
378390	1951	1
382511	2000-01-03-06-10-11-2100-01-03-06-11-30	1

CODE NO.	PART NO.	DESCRIPTION AND MODELS	PER CAR
KNUCKLES-Continued			
15.4081	PIN		
367761	1951-2000-01-03-06-10-11-2100-01-03-06-11-30	2
240030	2126	2
15.4085	BEARING - PIN UPPER		
339774	1951-2000-01-03-06-10-11-2100-01-03-06-11-30	2
15.4087	BUSHING - PIN UPPER		
384001	2126	2
15.409	BUSHING - PIN LOWER		
338117	1951	2
379270	2000-01-03-06-10-11-2100-01-03-06-11-30	2
384002	2126	2
15.4095	PIN - PIN LOCK		
367629	1951-2000-01-03-06-10-11-2100-01-03-06-11-30	2
304599	2126	2
15.4105	PLUG - PIN		
302551	lower, 1951-2000-01-03-06-10-11-2100-01-03-06-11	2
373919	upper, 1951-2000-01-03-06-10-11-2100-01-03-06-11	2
111561	2126	4
15.411	SHIM - PIN		
	1951-2000-01-03-06-10-11-2100-01-03-06-11-30	
302958	.053	x
316978	.054	x
316979	.055	x
302957	.056	x
316980	.057	x
316981	.058	x
302956	.059	x
316982	.060	x
316983	.061	x
302952	.062	x
316984	.063	x
316985	.064	x
302955	.065	x
316986	.066	x
316987	.067	x
302954	.068	x
316988	.069	x
316989	.070	x
302953	.071	x
316990	.072	x
	2126	
237083	.053	x
237970	.054	x
237971	.055	x

CODE NO.	PART NO.	DESCRIPTION AND MODELS	PER CAR
KNUCKLES—Continued			
15.411	SHIM - PIN (Cont'd)		
	2126 (Cont'd)		
237084	.056		x
237972	.057		x
237973	.058		x
237085	.059		x
237974	.060		x
237975	.061		x
237082	.062		x
237976	.063		x
237977	.064		x
237086	.065		x
237978	.066		x
237979	.067		x
237087	.068		x
237980	.069		x
237981	.070		x
237088	.071		x
237982	.072		x
15.4115	SPACER - KNUCKLE TO SUPPORT PLATE		
367680	1951-2000-01-03-06-10-11-2100-01-03-06-11-30		4
15.412	THRUST BEARING - PIN		
300278	1951-2000-01-03-06-10-11-2100-01-03-06-11-30		2
240032	2126		2
KNUCKLE SUPPORT and ARM			
15.501	SUPPORT - KNUCKLE		
373248	right, 1951-2000-01-10-11-2100-01-11-30		1
373858	right, 2003-06-2103-06		1
382969	right, 2126		1
373247	left, 1951-2000-01-10-11-2100-01-11-30		1
373857	left, 2003-06-2103-06		1
382968	left, 2126		1
15.502	ARM ASSEMBLY - SUPPORT		
373245	right, 1951-2000-01-03-06-10-11-2100-01-03-06-11-30		1
382951	right, 2126		1
373244	left, 1951-2000-01-03-06-10-11-2100-01-03-06-11-30		1
382950	left, 2126		1
15.5035	BUSHING ASSEMBLY - SUPPORT ARM INNER		
373264	1951-2000-01-03-06-10-11-2100-01-03-06-11-26-30		4
15.5036	BRACKET - SUPPORT ARM INNER BUSHING		
373261	1951-2000-01-03-06-10-11-2100-01-03-06-11-26-30		2
379381	Bolt 7/16-20 x 1-1/2 (50.003) 1951-2000-01-03-06-10-11-2100-01-03-06-11-26-30		8
5508	Lockwasher 7/16 (50.220) 1951		8

CODE NO.	PART NO.	DESCRIPTION AND MODELS	PER CAR
KNUCKLE SUPPORT and ARM—Continued			
15.5036	BRACKET - SUPPORT ARM INNER BUSHING (Cont'd)		
7107	Nut 7/16-20 (50.100) 1951-2000-01-03-06-10-11-2100-01-03-06-11-26-30		8
4292	Cotter pin (50.240) 1951-2000-01-03-06-10-11-2100-01-03-06-11-26-30		8
15.5037	SEAL - SUPPORT ARM INNER BUSHING		
373354	1951-2000-01-03-06-10-11-2100-01-03-06-11-26-30		4
15.5132	PIVOT PIN - SUPPORT		
373263	lower, 1951-2000-01-03-06-10-11-2100-01-03-06-11-26-30		2
367752	upper, 1951-2000-01-03-06-10-11-2100-01-03-06-11-26-30		2
7822	Bolt 3/8-24 x 1-1/2, upper pin, (50.003) 1951-2000-01-03-06-10-11-2100-01-03-06-11-26-30		2
5506	Lockwasher 3/8, upper pin bolt, (50.220) 1951-2000-01-03-06-10-11-2100-01-03-06-11-26-30		2
373267	Lockwasher, lower pin, 1951-2000-01-03-06-10-11-2100-01-03-06-11-26-30		4
373266	Nut, lower pin, 1951-2000-01-03-06-10-11-2100-01-03-06-11-26-30		2
15.5135	BUSHING - SUPPORT PIVOT PIN		
373262	lower pin, 1951-2000-01-03-06-10-11-2100-01-03-06-11-26-30		2
367754	upper pin front, 1951-2000-01-03-06-10-11-2100-01-03-06-11-26-30		2
367757	upper pin rear, 1951-2000-01-03-06-10-11-2100-01-03-06-11-26-30		2
15.5136	SEAL - SUPPORT PIVOT PIN		
377544	lower, 1951-2000-01-03-06-10-11-2100-01-03-06-11-26-30		4
387817	upper rear, 1951-2000-01-03-06-10-11-2100-01-03-06-11-26-30		4
387818	upper front, 1951-2000-01-03-06-10-11-2100-01-03-06-11-26-30		4
15.5137	LUBRICATION FITTING - SUPPORT PIVOT PIN		
302739	lower pin, 1951-2000-01-03-06-10-11-2100-01-03-06-11-26-30		2
216548	upper pin, 1951-2000-01-03-06-10-11-2100-01-03-06-11-26-30		2